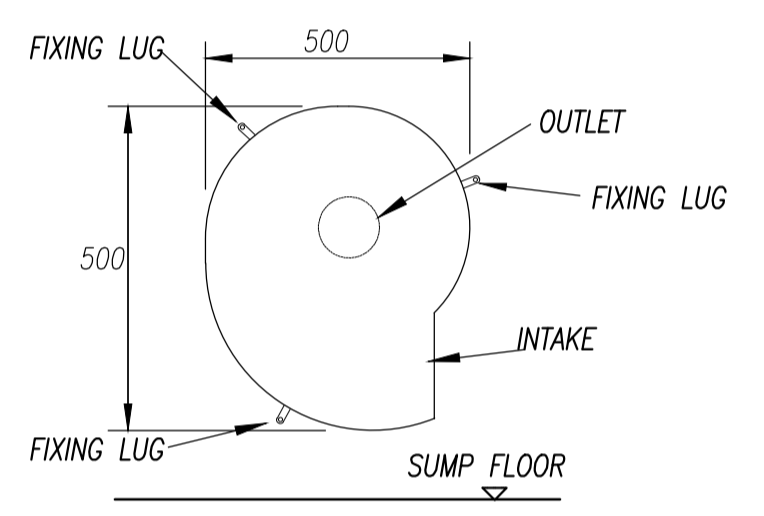


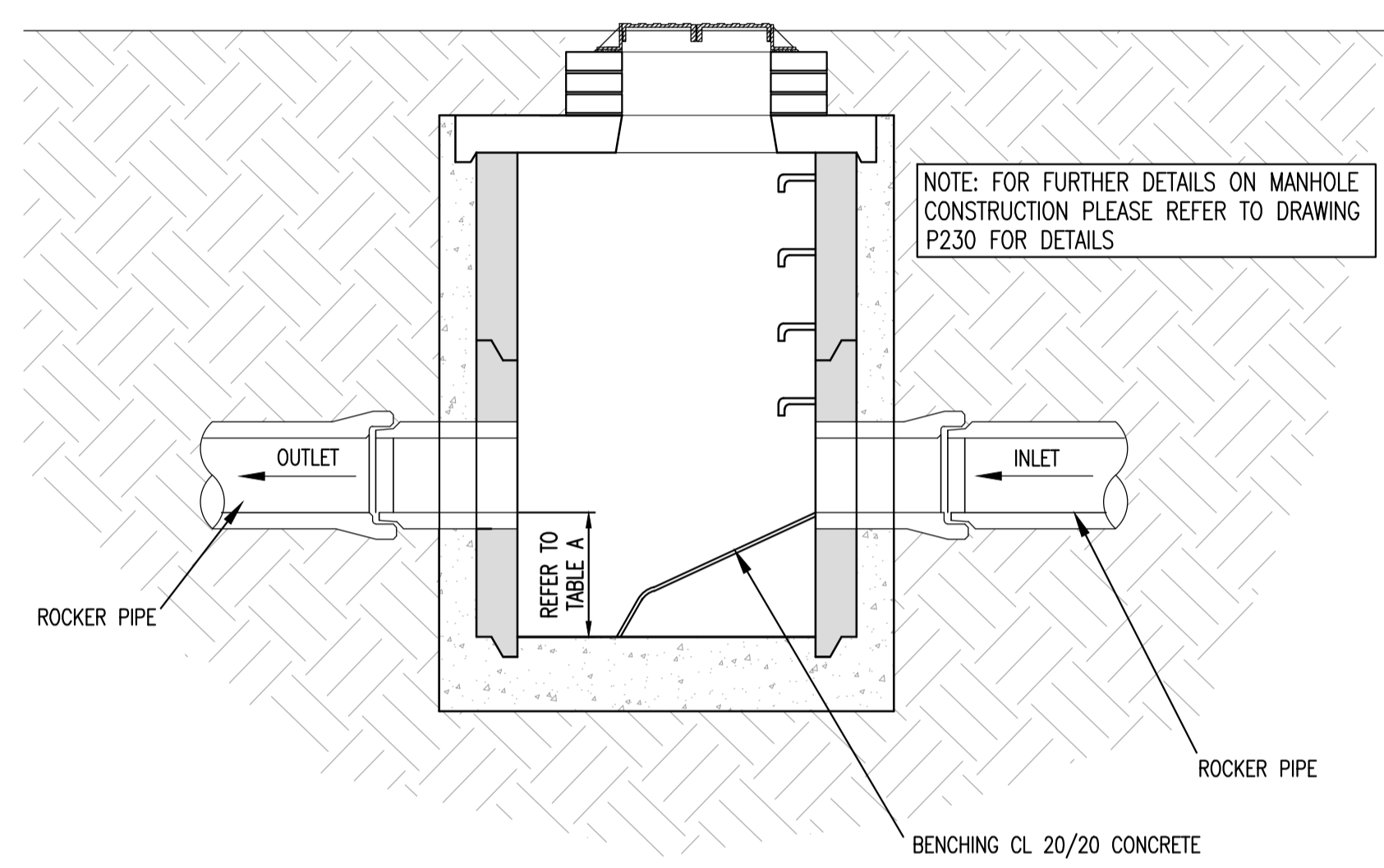
TYPICAL SILT TRAP MANHOLE
 SCALE 1:25



HYDRO BRAKE DETAIL
 N.T.S.


HB No.	COVER LEVEL (CL)	INVERT LEVEL (IL)	SUMP DEPTH (mm)	SUMP INVERT LEVEL	HB SET POINT (l/s)
SW MH510	106.850	102.463	610	101.853	28.0
SW MH551	110.000	106.978	260	106.718	1.6
SW MH517	109.600	106.000	225	105.775	0.7
SW MH22	107.500	104.779	305	104.474	3.0
SW MH545	107.100	104.177	300	103.877	2.7
SW MH550	106.400	103.200	310	102.890	3.2
SW MH509A	106.800	102.530	305	102.225	2.6
SW MH420A	111.284	108.604	465	108.139	6.0
SW MH433	113.400	107.577	330	107.247	4.9
SW MH434A	112.628	108.795	250	108.545	1.4
SW MH407	113.400	109.680	240	109.440	1.0
SW MH407A	113.400	108.628	380	108.328	2.9
SW MH209A	118.900	115.039	310	114.729	2.0
SW MH211A	117.000	112.000	395	111.605	13.9
SW MH136A	113.500	110.300	360	109.940	6.8
SW MH325B	117.800	114.463	260	114.203	1.4
SW MH430A	114.800	112.193	325	111.868	2.9
SW MH12	111.950	108.832	340	108.492	4.4
SW MH45	109.005	106.794	555	106.239	97.7
SW MH28	108.550	106.604	515	106.089	125.0
SW MH430A	108.300	106.395	610	105.785	32.9
SW MH430B	108.300	106.250	460	105.790	32.2

TABLE A



TYPICAL SILT TRAP MANHOLE
 SCALE 1:25

- NOTES:
- DO NOT SCALE. USE FIGURED DIMENSIONS ONLY.
 - THIS DRAWING IS TO BE READ IN CONJUNCTION WITH ALL OTHER RELEVANT ARCHITECTURAL AND ENGINEERING DRAWINGS.

P1	16/04/25	LRD STAGE 3 PLANNING SUBMISSION	GB	EC
Amendments				
Project				
WOODTOWN, BALLYCULLEN				
Title				
HYDROBRAKE & PETROL INTERCEPTOR DETAILS				
Client				
LAGAN HOMES BALLYCULLEN LIMITED				
				
BLOCK 5, EASTPOINT BUSINESS PARK, ALFIE BYRNE ROAD, DUBLIN D03 H3F4 IRELAND. Tel: (01) 864 8900 Email: info@waterman-moylan.ie www.waterman-moylan.ie				
Status				
PLANNING				
Designed By	EC	Approved	JG	Waterman Ref
				24-007
Drawn By	GB	Date	APRIL 2025	Scales @ A1
				AS SHOWN
Project	Originator	Volume	Level	Type
BYCN- WM - 00 - XX-DR- C - P1233				
				Revision
				P1